

E40  
Linear

litofis



## E40 Linear Light

E40 is very slim, elegant for home, or office. Designer used the simplest design special for a single light. It adopts unique drawer type wiring design which makes the installation and maintenance very convenient.

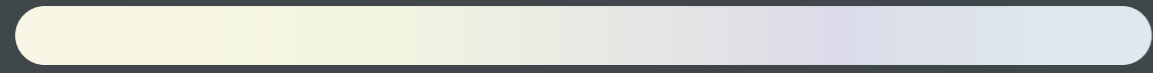
E40  
Linear

litofis





3 CCT Switchable



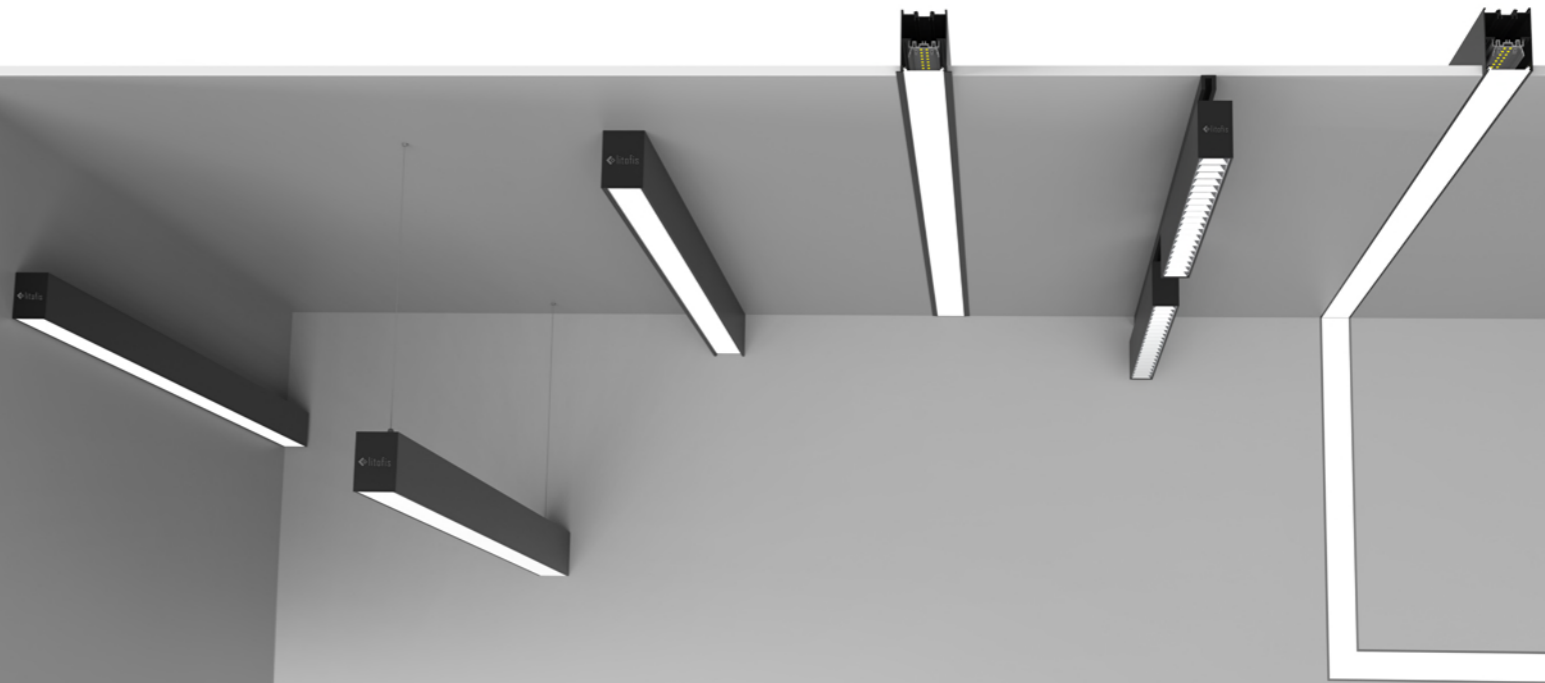
3000K

4000K

5700K

# UNLIMITED CONTROL

## Full range installation ways



Suspended



Surface mounted

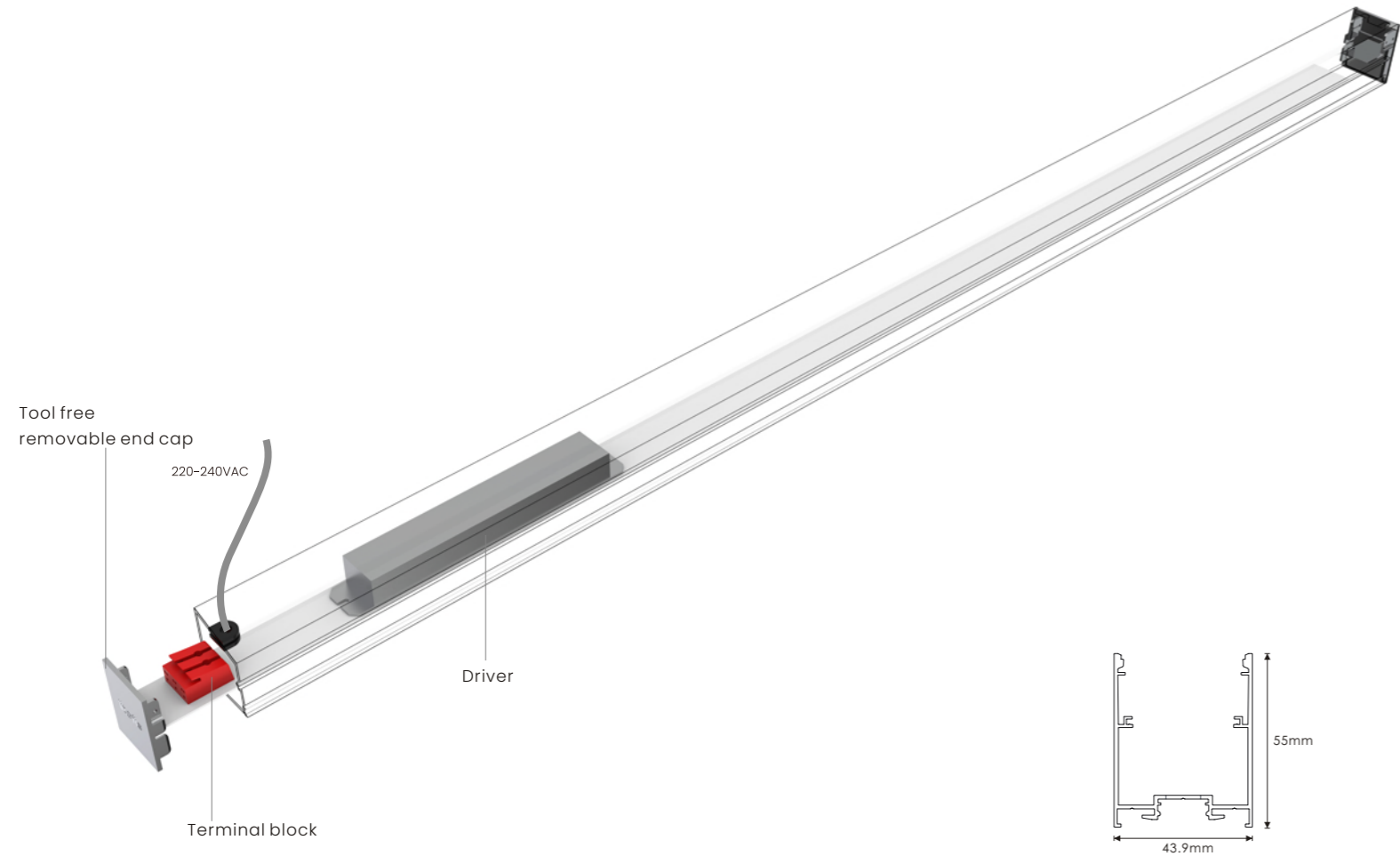


Track mounted

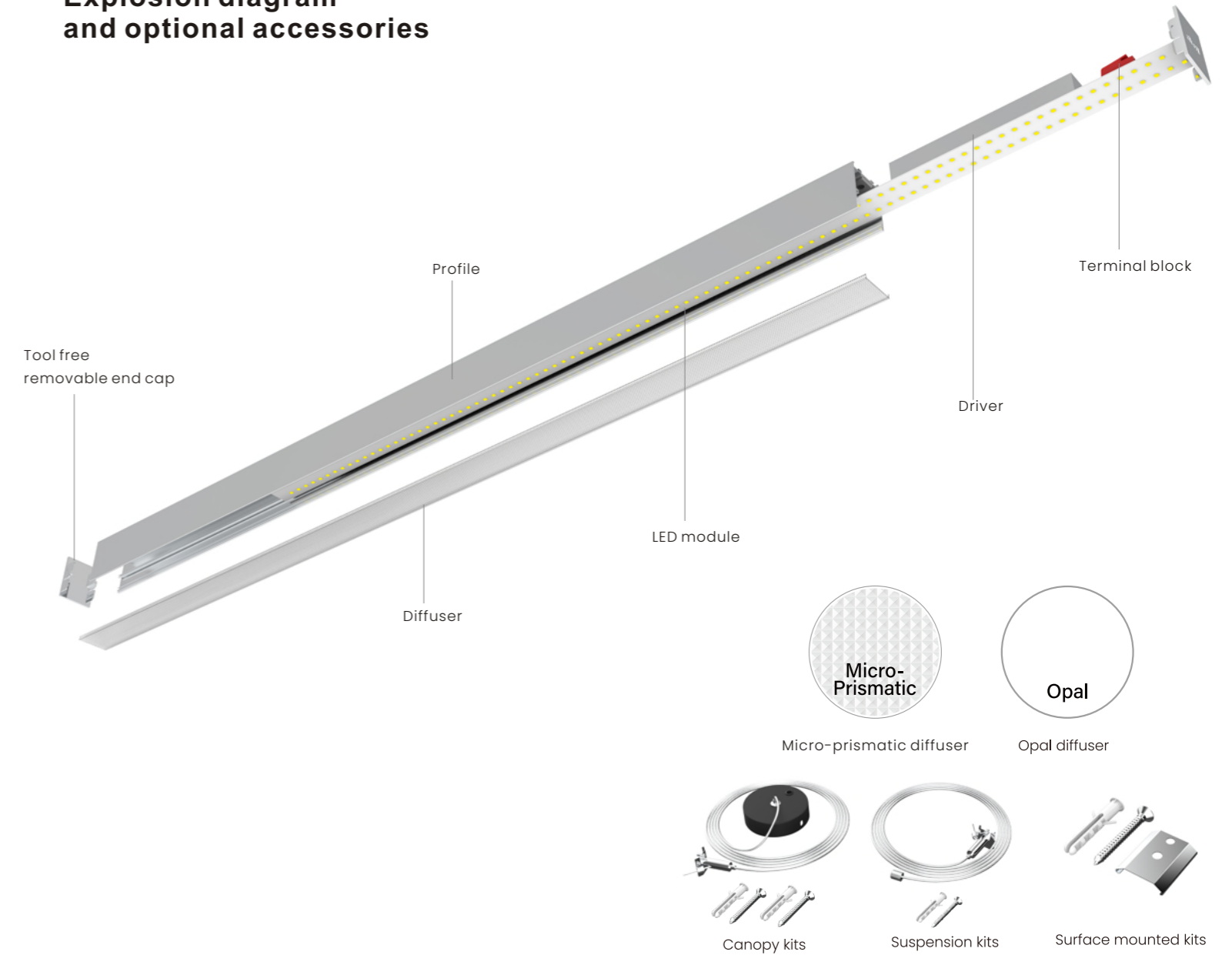


### Easy to install and maintain

E40 adopts unique drawer type wiring design which makes the terminal block and driver can be pulled out together with tool-free removable end cap from the side, so, it's very convenient to install and maintain.



### Explosion diagram and optional accessories



E40  
Linear



litofis

E40  
Linear

litofis



Item	Length	Section size	Link	Voltage	Power	System Efficacy	Color	Optics	LEDs	CCT	CRI	Color consistency	UGR	Driver	Control
E40-1125	1125mm	W44XH55mm	single light	220-240VAC	20.5-36W	115lm/w	White/Black/Silver grey	Opal/Micro-prismatic	Osram	3000K/4000K/5700K or TW 3000K-5700K	CRI>80 / CRI>90	MacAdam step 3	UGR<22/UGR<19	AGT	ON-OFF/DALI 2 /DALI DT8(tunable white)
E40-1405	1405mm	W44XH55mm	single light	220-240VAC	26-45W	115lm/w	White/Black/Silver grey	Opal/Micro-prismatic	Osram	3000K/4000K/5700K or TW 3000K-5700K	CRI>80 / CRI>90	MacAdam step 3	UGR<22/UGR<19	AGT	ON-OFF/DALI 2 /DALI DT8(tunable white)

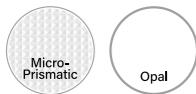
### Mounting



### Control



### Optics



### Color



### Approval



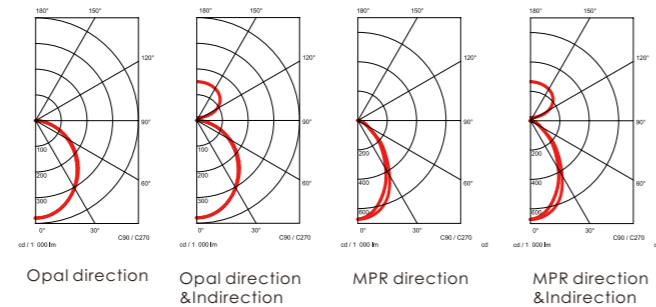
\*Options:  
 -Presence and light sensors  
 -Emergency: 1h or 3h  
 -2700k or other CCT  
 -100-277VAC

\*The length mentioned above means the profile length without the end cap for general version,each end cap is 3mm long;

\*Lumen is based on completed linear light.  
 (modules are in the profile, and covered by diffuser)

\*There might be 5% tolerance of Power ,  
 due to the Vr value of Osram LEDs changing while the current changing.

### Light Distribution



E40